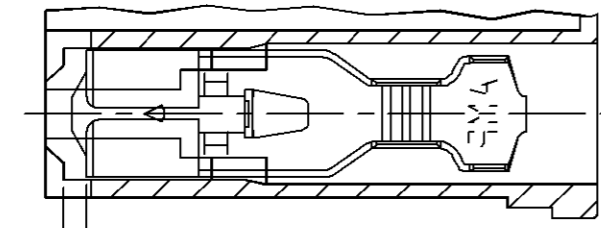


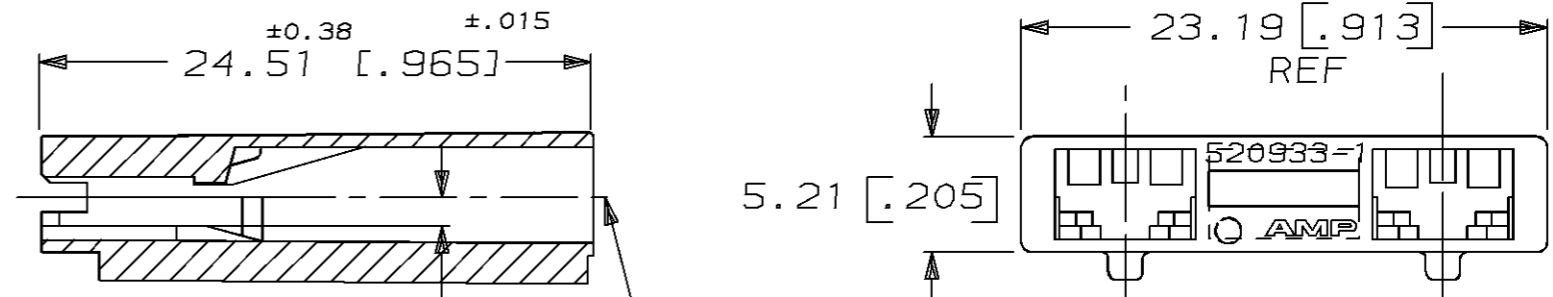
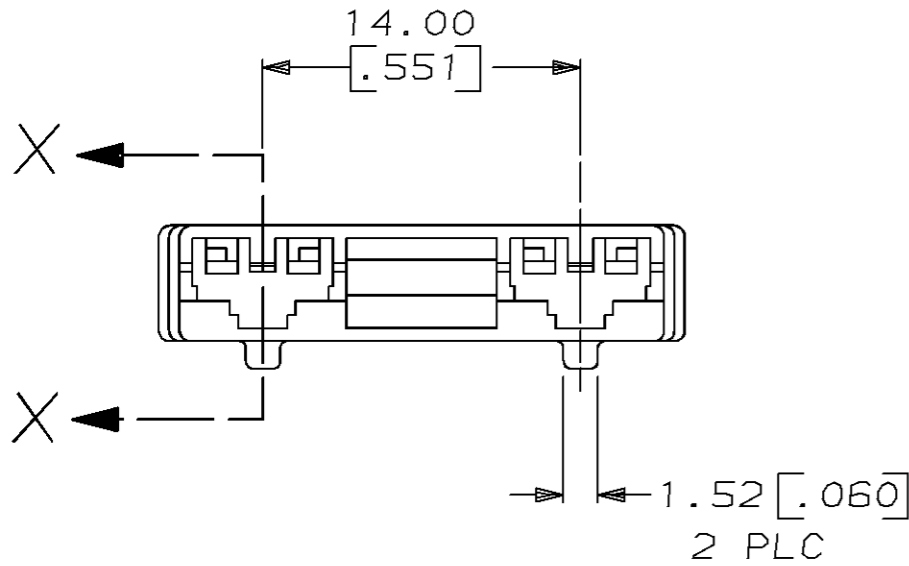
THIS DRAWING IS UNPUBLISHED. RELEASED FOR PUBLICATION, 19
 © COPYRIGHT 19 BY AMP INCORPORATED. ALL INTERNATIONAL RIGHTS RESERVED.

LOC	DIST	P	F	REVISIONS				
AF	50			ZONE	LTR	DESCRIPTION	DATE	APPD
					B	RELEASED PER 0710-0133-95	4/3/95	JR/JG



ASSEMBLED VIEW

1 DIMENSIONS IN BRACKETS ARE IN INCHES.



SECTION X-X

Ø OF TAB

METRIC

DO NOT SCALE PRINT. UNLESS SPECIFIED DIMENSIONS IN MM TOLERANCES ON: 2 PLC DEC ± - 3 PLC DEC ± 0.25 [.010] ANGLES ± -	DR 10/4/89 JR RUTH	NATURAL	ZYTEL 103 HSL	520933-1
	CHK 10/4/89 MS FEHER	FINISH	MATERIAL	PART NO
	APPD 10/4/89 J GILLESPIE	SEE TABLE	AMP INCORPORATED Harrisburg, Pa. 17105	
	APPD 10/4/89 R KUZO	SEE TABLE		
MATERIAL	PRODUCT SPEC	NAME HOUSING, POSITIVE-LOCK .187 SERIES, MARK II		
FINISH	APPLICATION SPEC	SIZE B	FSCM NO 00779	DRAWING NO 520933
	WEIGHT -	SCALE 3:1	SHEET 1 OF 1	